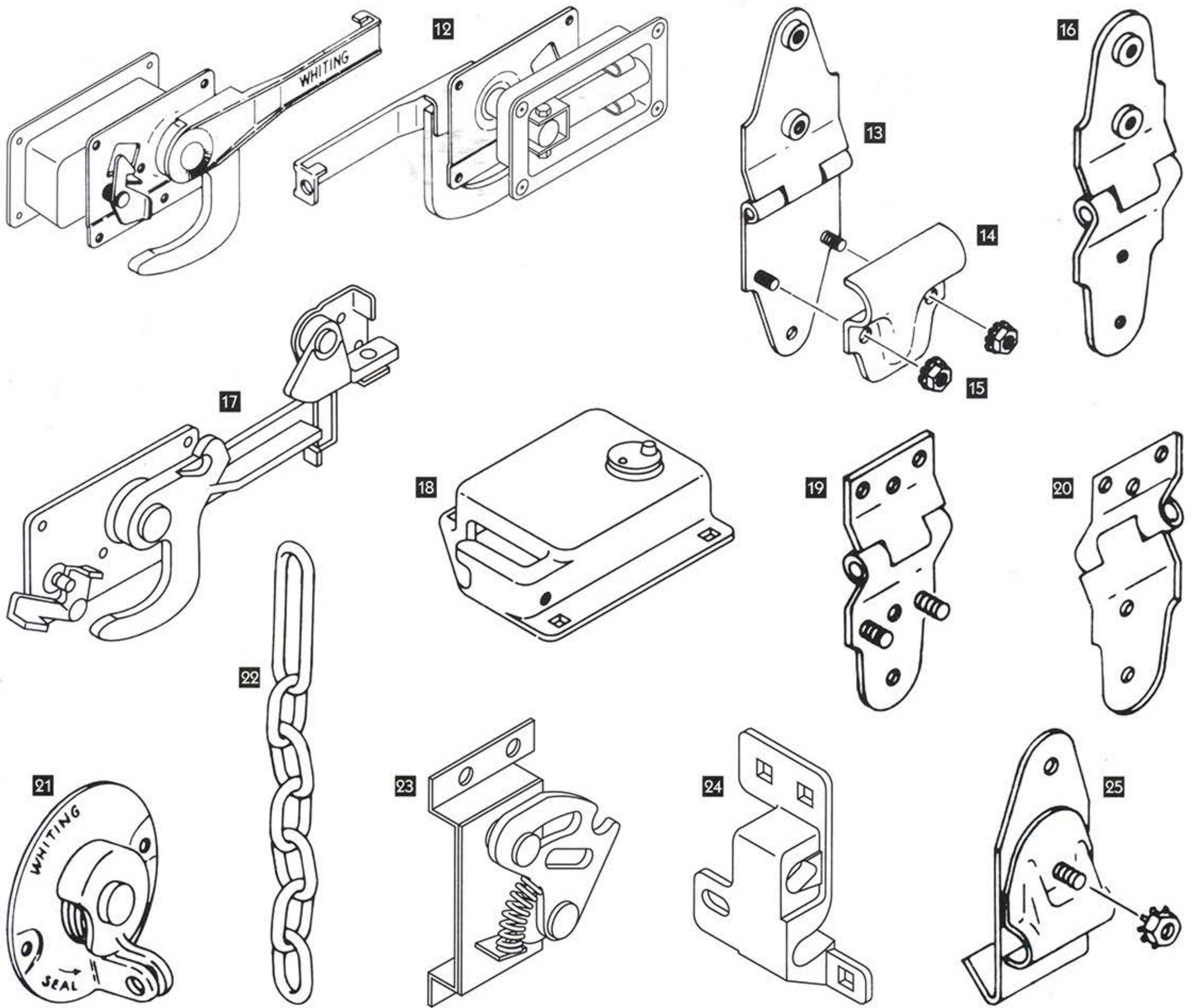


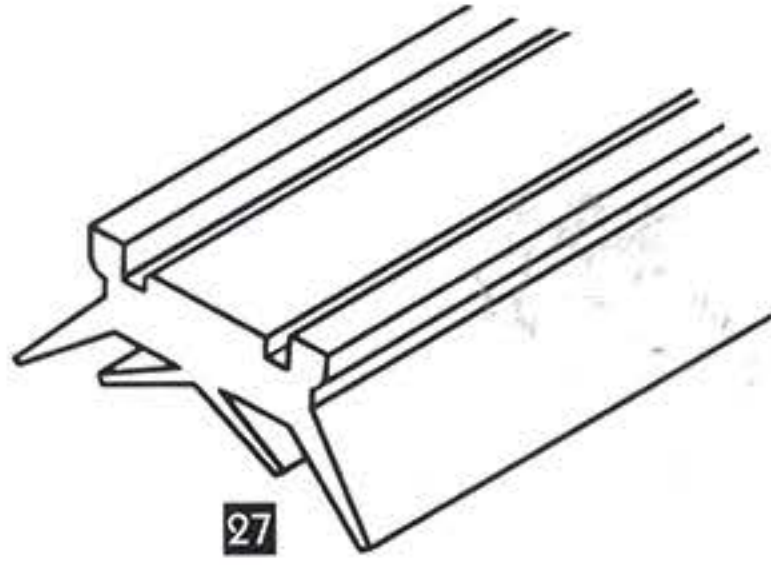
ITEM	WHITING PREMIUM	GENERAL PURPOSE	COLDSAVER	TEMPGUARD	HINGED TRUSS	HINGELESS TRUSS	EXTRUDED ALUMINUM	CARGOGUARD
1	77 Type Lock with Inside Release Handle	■	■	■	■	■	■	■
2	77 Type Lock with Fallaway Cam	■	■	■	■	■	■	■
3	Recessed Cam Lock with Best Cylinder	■	■	■	■	■	■	■
4	Handle Keeper for 77 Type Lock with Inside Release	■	■	■	■	■	■	■
5	Surface Mounted Cam Lock	■	■	■	■	■	■	■
6	Recessed Cam Lock	■	■	■	■	■	■	■
7	Surface Mounted Cam Lock for Insulated Doors	■	■	■	■	■	■	■
8	Slam Lock	■	■	■	■	■	■	■
9	Chain Lock, No Chain	■	■	■	■	■	■	■
10	Chain Lock, No Chain	■	■	■	■	■	■	■
11	Chain for Chain Lock	■	■	■	■	■	■	■



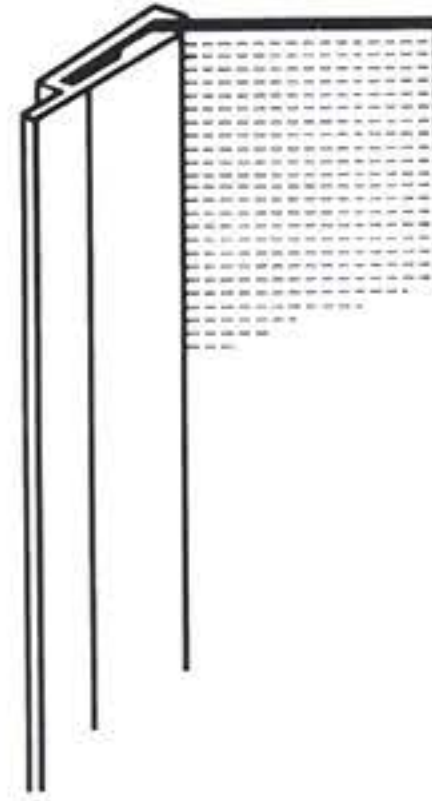
ITEM	WHITING PREMIUM	GENERAL PURPOSE	COLDSAVER	TEMPGUARD	HINGED TRUSS	HINGELESS TRUSS	EXTRUDED ALUMINUM	CARGOGUARD
12 Recessed Cam Lock Assembly	■							
13 Breakaway Roller Hinge	■							
14 Roller Hinge Cover Clamp	■							
15 Kep Nut 1/4 x 20	■							
16 Breakaway Center Hinge	■							
17 Cam Lock and Keeper	■	■					■	
18 Keyed Lock Box for 77 Type Lock	■	■						
19 Clearance Roller Hinge	■							
20 Clearance Center Hinge	■							
21 Chain Lock, No Chain	■	■					■	
22 Chain for Chain Lock	■	■					■	
23 Side Latch Assembly	■	■					■	
24 Captive Padlock Keeper	■	■						
25 Bottom Roller Bracket	■							



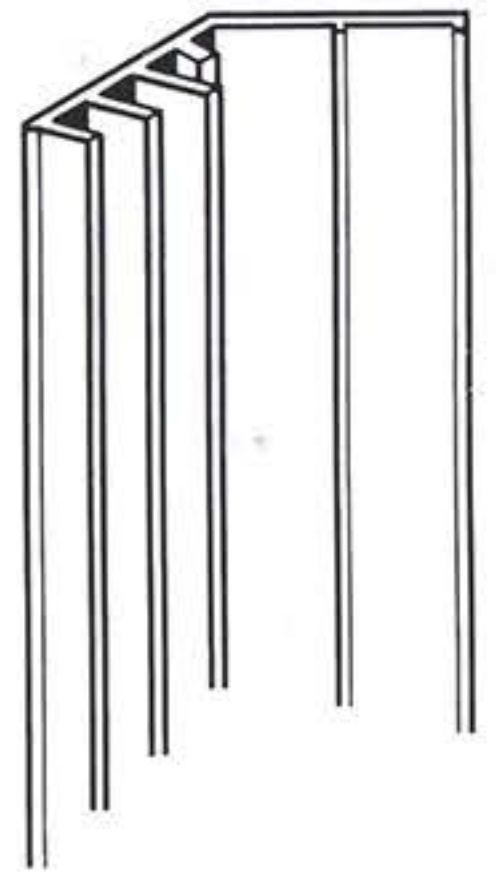
26



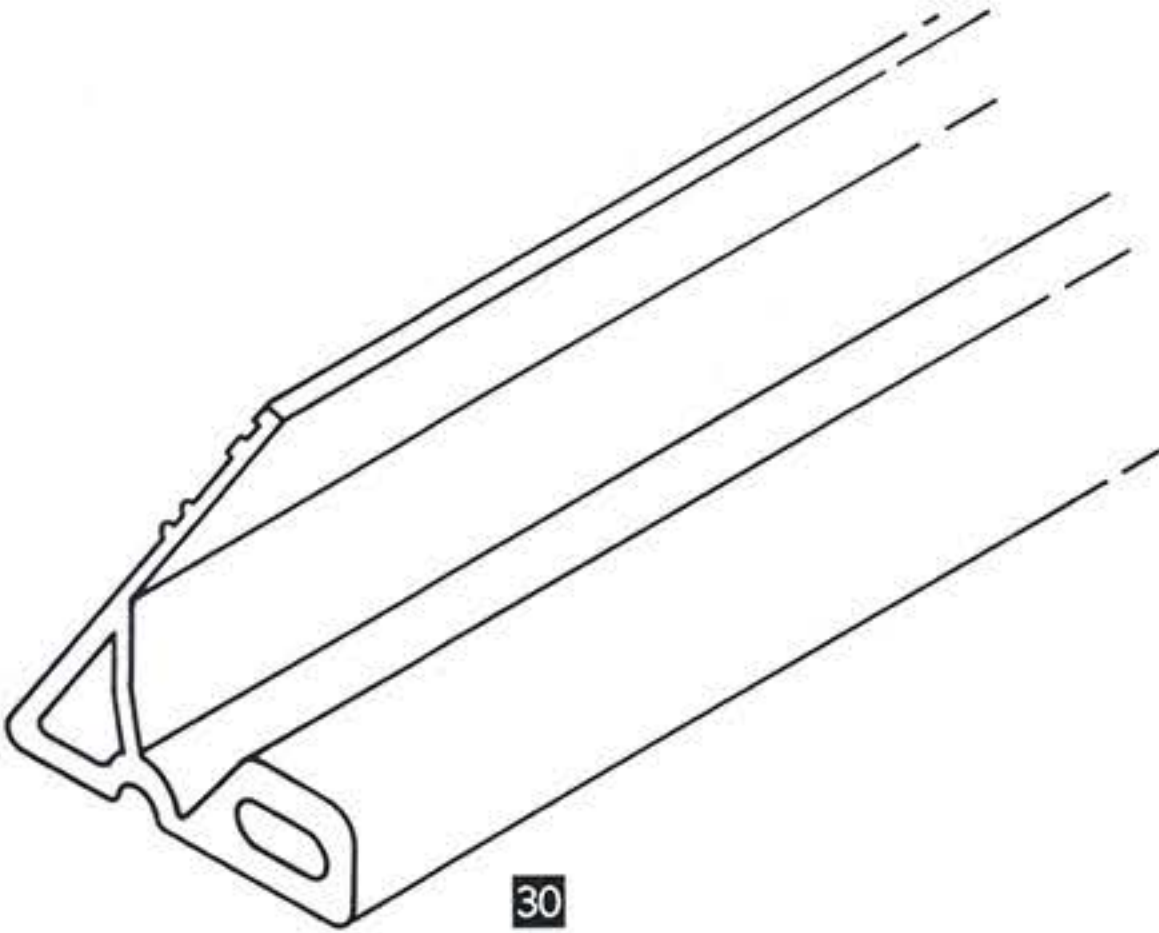
27



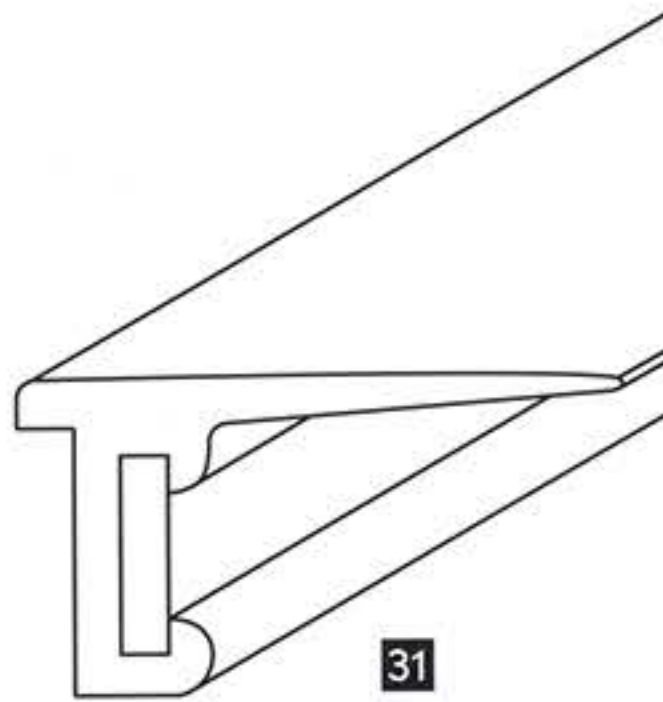
28



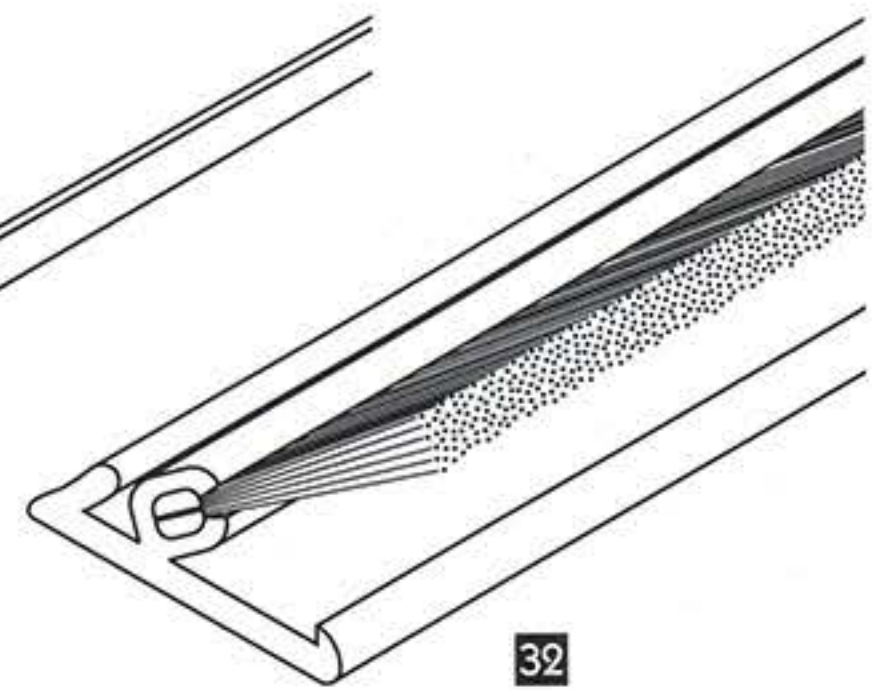
29



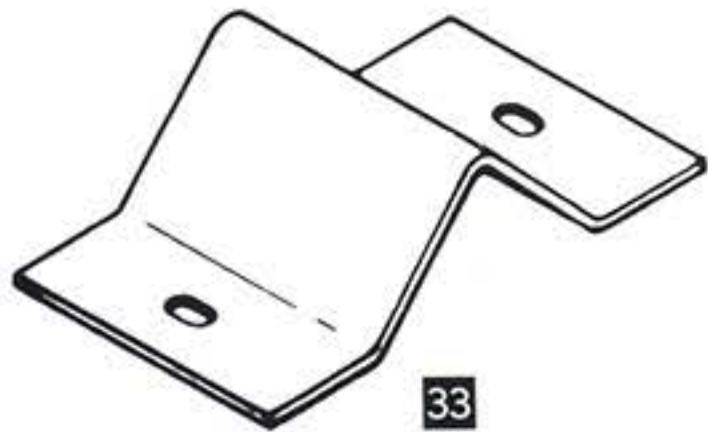
30



31



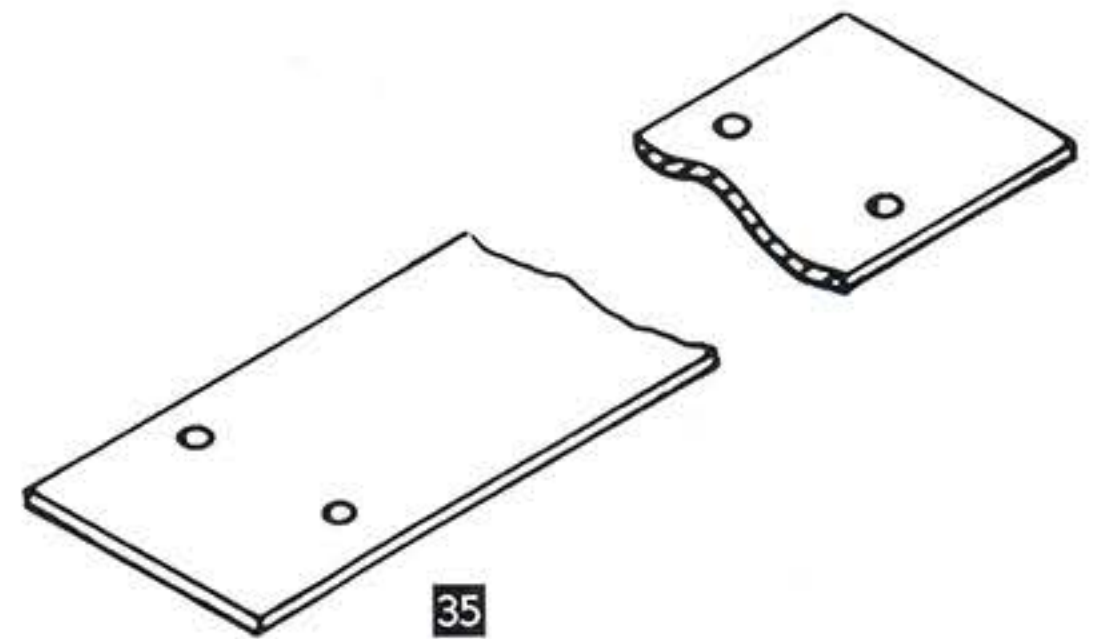
32



33



34



35

ITEM	WHITING PREMIUM	GENERAL PURPOSE	COLDSAVER	TEMPGUARD	HINGED TRUSS	HINGELESS TRUSS	EXTRUDED ALUMINUM	CARGOGUARD
26 Window Molding	■	■						
27 Multi-Legged Bottom Seal	■							■
28 Auxiliary Side Seal	■	■						■
29 Multi-Legged Side Seal	■							■
30 Snap-In Side Seal		■						
31 Header Seal	■	■	■	■	■	■	■	■
32 Brush Side Seal	■	■	■	■	■	■	■	■
33 Panel Stiffener	■	■	■	■	■	■		■
34 Step Bolt	■	■						■
35 Reinforcement Strap	■	■						■

